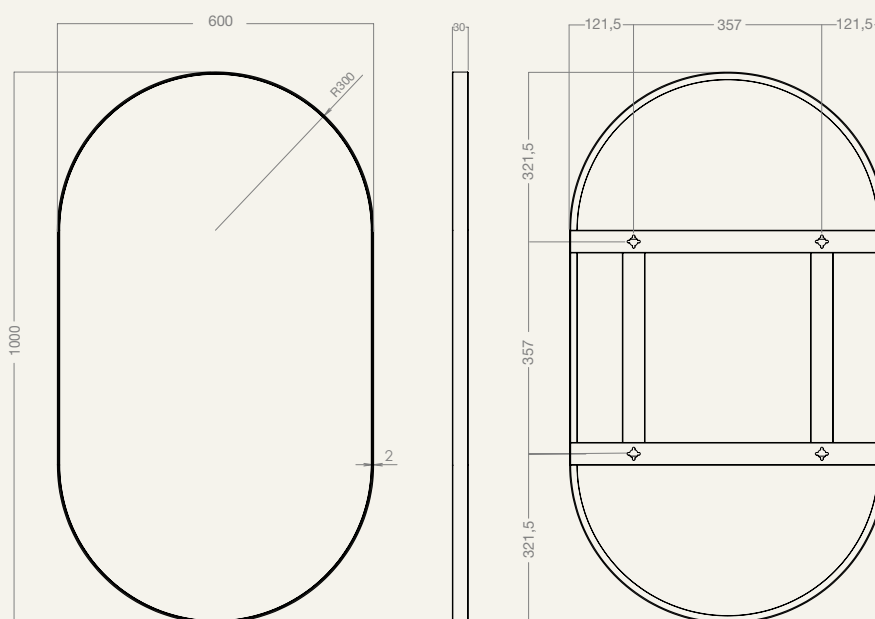


**FROST**  
DENMARK

## MIRROR 4145

PRODUCT DETAILS, TECHNICAL DETAILS  
AND FITTING INSTRUCTIONS



**ITEM NUMBERS:**

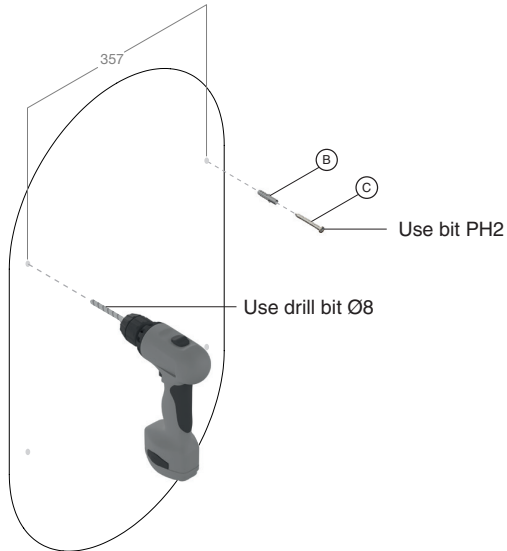
U4145-B, U4145-W, U4145-BMG, U4145-BOC U4145-BCB

**MATERIAL: ALUMINIUM**

**DESIGNED BY BØNNELYCKE MDD**

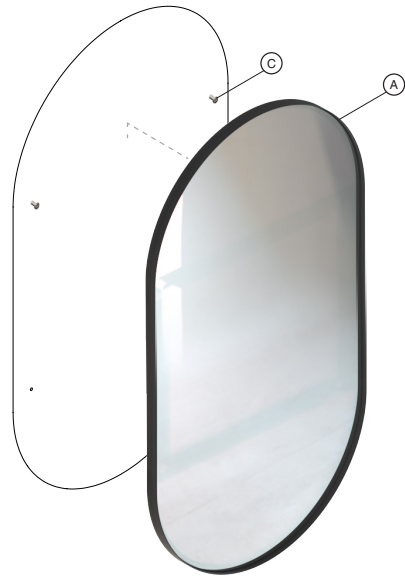
1

Use two (B) wall plugs (Ø8x40) and (C) screws (Ø5x40) for the top holes of the mirror.



2

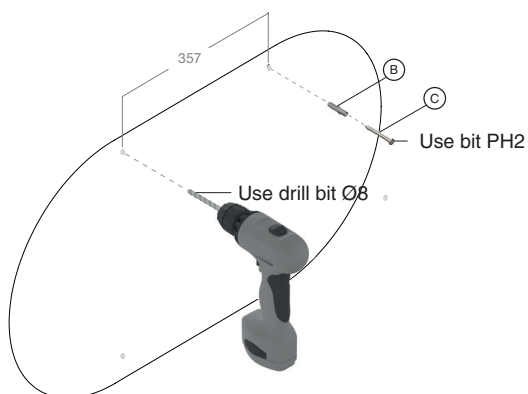
Mount the (A) mirror on the (C) screws (Ø5x40) as illustrated.



### MOUNTING: VERTICALLY

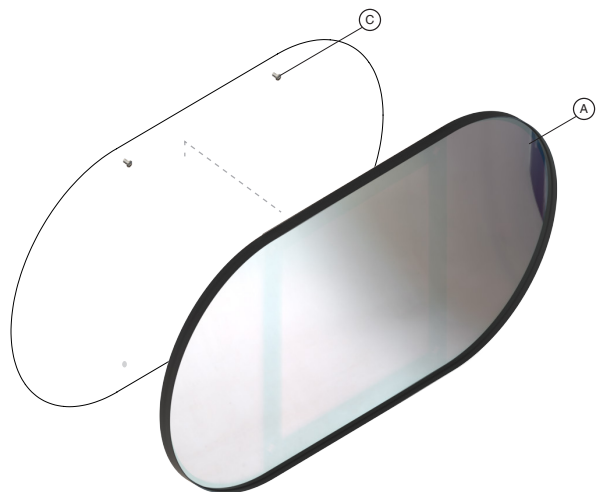
1

Use two (B) wall plugs (Ø8x40) and (C) screws (Ø5x40) for the top holes of the mirror.



2

Mount the (A) mirror on the (C) screws (Ø5x40) as illustrated.





#### **CLEANING AND MAINTENANCE**

Surfaces should be cleaned with a microfiber cloth, glass cleaner or other non abrasive and gentle agents.

#### **ATTENTION:**

Never use solvents or aggressive household cleaners like bleach, acids (e.g. descalers) or ammonia-based bathroom cleaner to clean the product. Steel wool and hard brushes can permanently damage the surface of the steel.

#### **EXCLUSION OF LIABILITY**

FROST accepts no liability whatsoever for damage to persons or property that occurs or has occurred as a result of improper installation or maintenance, particularly if the safety instructions and other points to note listed are not or have not been observed in full.

#### **WARNING AND HAZARD NOTICES**

Improper mounting or use can lead to accidents and serious injuries.

**[www.frostdenmark.com](http://www.frostdenmark.com)**

We are also to be found as frostdenmark on Facebook,  
Instagram, Pinterest and LinkedIn

